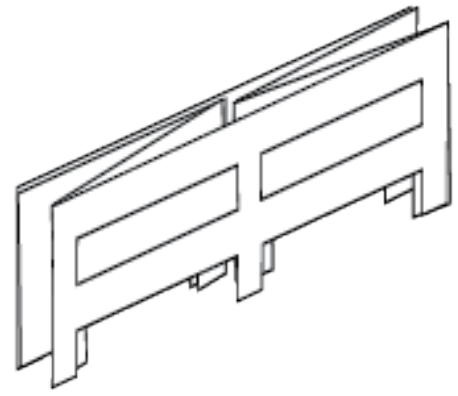
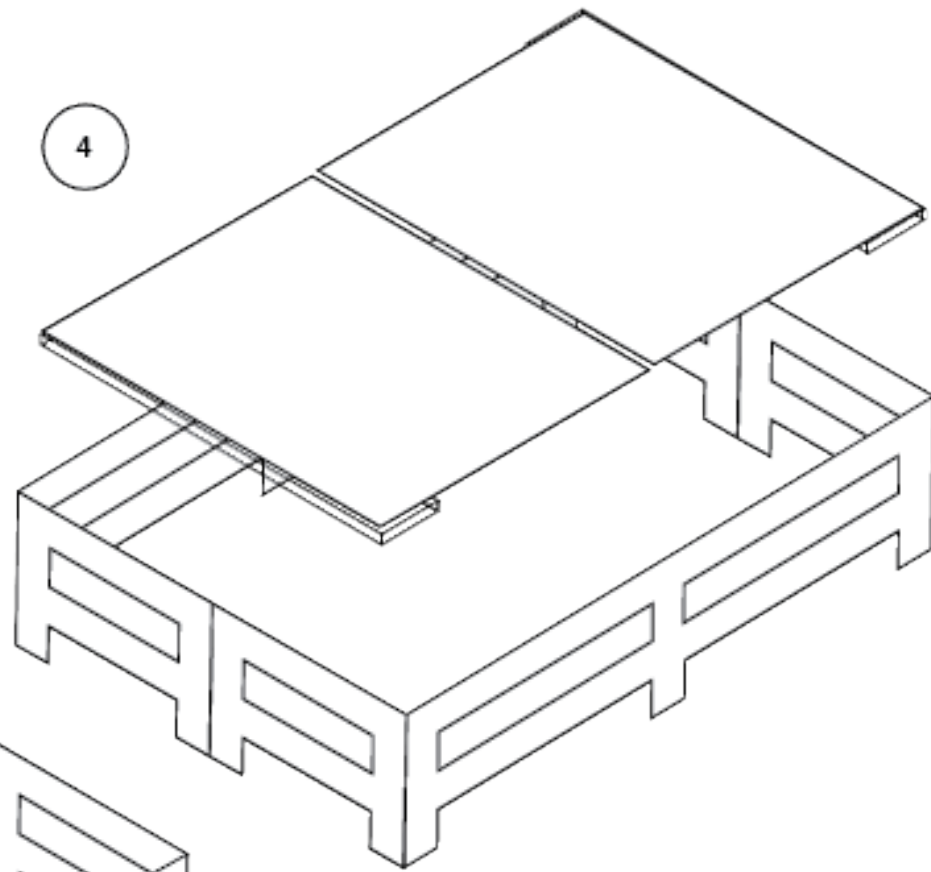


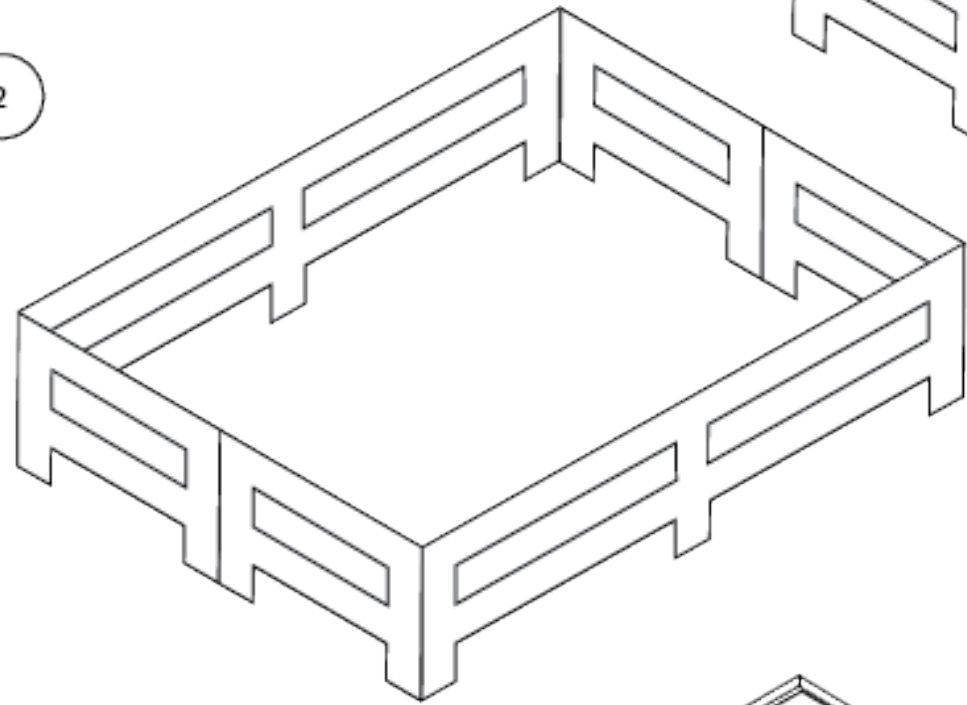
1



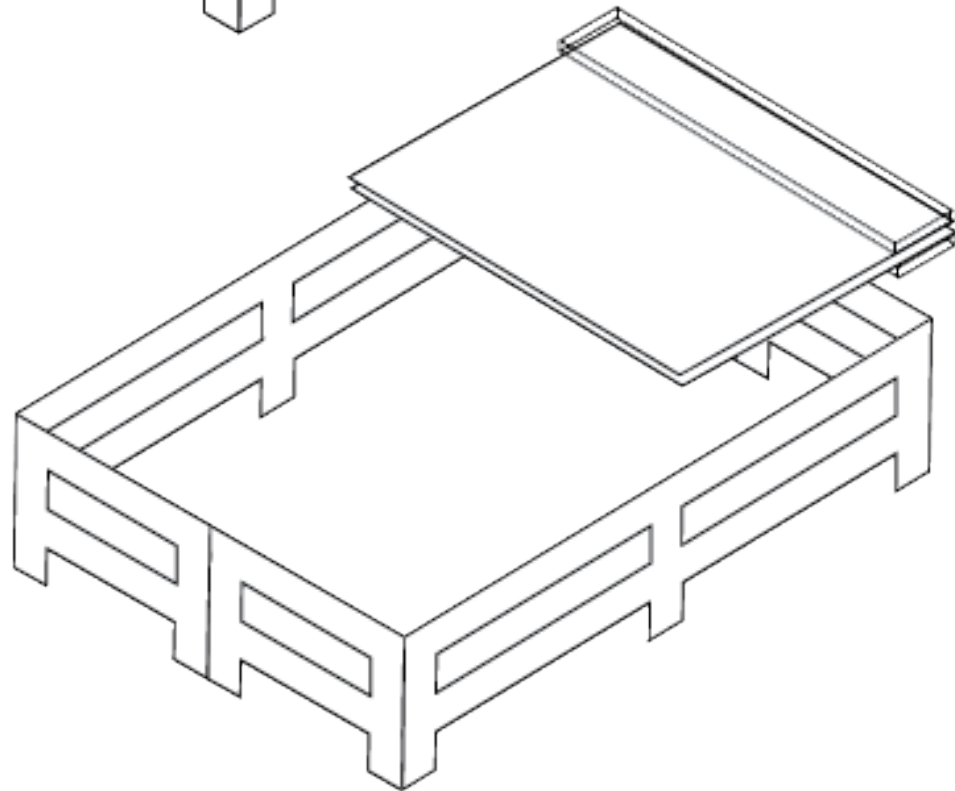
4



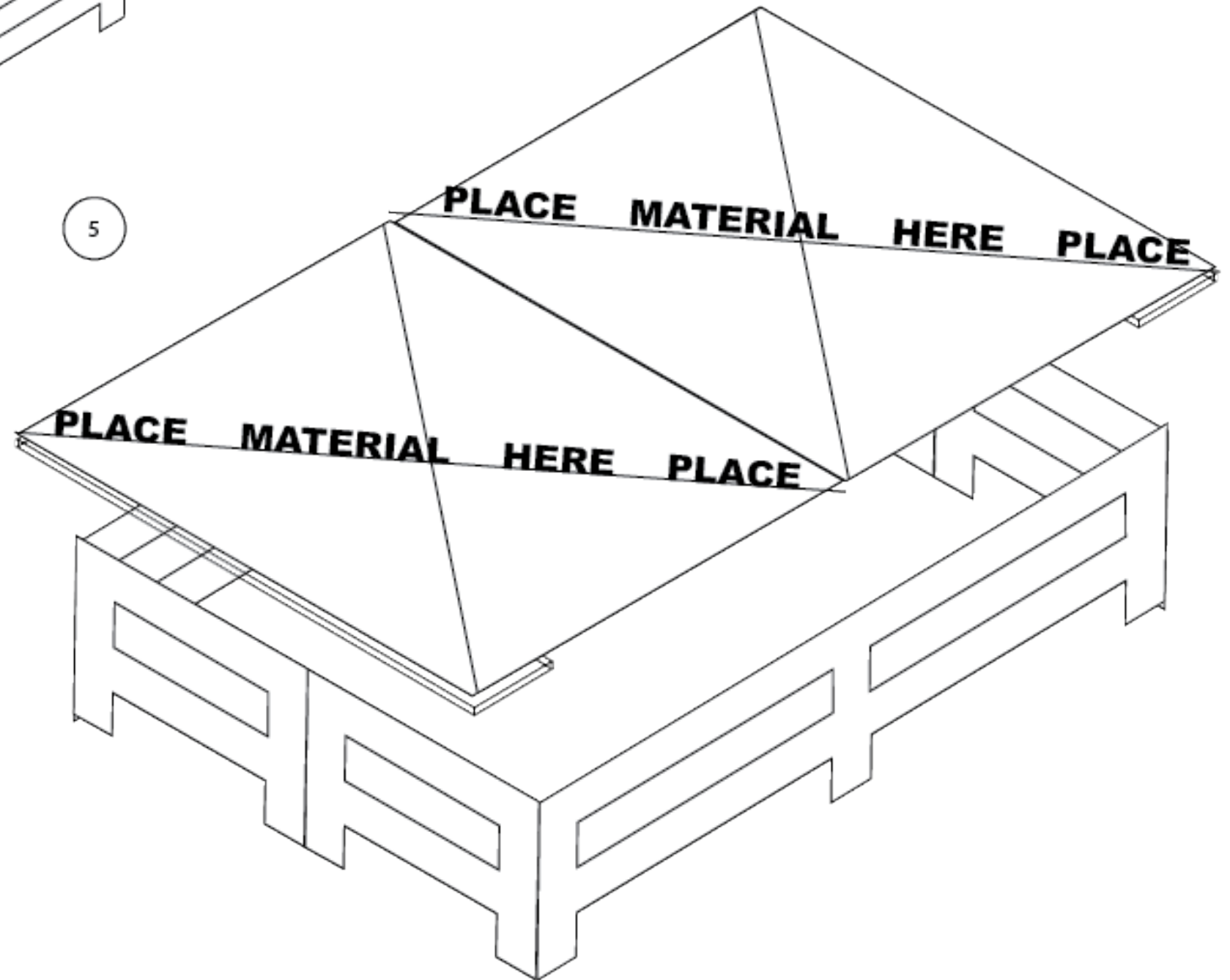
2



3



5



Application for The Singular (Self) Structure

Name:

Email:

Astrological sign:

Are you more introverted or extroverted?

What are your interests?

How do you feel supported and unsupported?

How are you spending your free time (now)?

Application for The Singular (Self) Structure

Tell me a story?

How would you like to get to know someone?

What is something you won't compromise on?

If you were an inanimate object would you be a book, pencil or sandwich?

Making Friends (In Theory) has developed from an archival research-orientated project focused on publication and reading into an ongoing series of relational groups where people begin to construct, develop and deliberate on the group's design and operation.

This application is meant to begin allowing people to develop their needs, interest, and ideas. Once the singular can construct their wants and needs then we can move towards a multiple.

The information accumulated from this questionnaire will be developed into a publication. If you wish to receive a printed copy for being apart of the project than please leave your address in the application as well.